



## QWL螺旋泵 QWL SCREW PUMP

### 亚太泵阀有限公司

地址：江苏省泰兴高新区

电话(Tel): 0523-87659580

传真(Fax): 0523-87625252

邮编: 225400

Http://www.asiasun.com

E-mail:sales@asiasun.com

免费售后服务热线: 800-8283948

YATAI PUMP&VALVE CO.,LTD.

Add:Taixing High tech Zone,Jiangsu

Tel:0523-87659580

Fax:0523-87625252

P.C:225400

Http://www.asiasun.com

E-mail:sales@asiasun.com

Free hotline of after service:800-8283948

企业微信公众平台  
Enterprise WeChat public platform



2019版  
2019 Ver.

亚太泵阀有限公司  
YATAI PUMP&VALVE CO.,LTD.



亚太泵阀有限公司是专业从事各类水泵、环保系列设备、移动泵站、一体化泵站、消防供水泵车及远程控制系统的研发生产，并同时提供泵站和环保工程设计、产品研制、设备安装和系统运营全套服务的国家级高新技术企业，拥有机电安装工程专业承包贰级、机电工程施工总承包叁级、市政公用工程施工总承包叁级、环保工程专业承包叁级和环保设计甲级资质。

公司坚持创新驱动、产业融合的经营战略，全面推进企业高质量发展，先后获得国家级绿色工厂、国家知识产权优势企业、中国产学研合作创新示范企业、全国守合同重信用企业、国家污水潜水泵技术依托单位、全国水利系统优秀企业、中国环保产业百强骨干企业等多项国家级荣誉称号，亚太商标被认定为中国驰名商标，**综合实力不断增强。**

近年来，公司先后开发出符合国家产业政策的23个系列2000多个品种的水泵产品、6大系列38个品种的污水处理厂成套设备。目前，大型高电压潜水电泵、大型潜水贯流泵、新型防洪抢险泵、移动式泵站、玻璃钢预制泵站、潜水搅拌推流设备、浮筒曝气机、消防供水泵车等已成为公司主导产品，获得66项专利授权和200多项各类科技成果，**产品种类日益齐全。**

公司大力推进以质量树品牌、以品牌拓市场的发展思路，全面贯彻质量、测量、环境、职业健康安全、企业信用、能源管理、售后服务和知识产权等管理体系。主导产品污水潜水电泵被认定为江苏省名牌产品。公司被评定为AAA级质量信用企业、AAAA级标准化良好行为企业、AAA级测量管理体系企业、五星级售后服务单位、省级企业信用管理贯标合格企业，**市场信誉稳步提高。**

公司设立了国家级博士后科研工作站、江苏省大功率潜水电泵工程技术研究中心、江苏省特大型潜水电泵及泵站系统工程研究中心、江苏省企业技术中心、泰州市高压低速潜水电泵混流泵重点实验室等研发机构，成为科技研发和人才培养的重要载体，**平台优势有力彰显。**

公司先后承担了10多项国家和省级火炬计划、国家重点新产品计划和江苏省重大科技成果转化项目计划。轻便智能型大排量防洪抢险潜水泵入选国家工业节能技术装备重点推荐产品目录、污水潜水电泵入选中国能效之星目录。自主开发的大功率潜水电泵系列产品研发等项目先后获得国家科技进步二等奖1项、省部级科学技术奖13项、江苏省优秀新产品金奖2项，2个新产品被认定为江苏省首台(套)重大装备及关键部件。公司获得江苏省科技小巨人企业、江苏省创新型企业、江苏省创新能力建设示范企业、江苏省两化融合示范企业认定，**创新能力全面提升。**

作为水泵行业的示范引领企业，主持修订了JB/T10179-2016《混流式、轴流式潜水电泵》机械行业标准，主导制订了《污水潜水电泵》国家标准、《无堵塞泵》、《贯流泵》、《潜水排污泵》、《潜水轴流泵》等8项行业标准，**优势产业领跑同行。**

公司主导产业与工程承揽齐头并进、互为补充。各类潜水电泵、环保设备、一体化预制泵站、防洪抢险泵、消防供水泵车等高科技产品在上海宝钢、大庆油田、广核集团、神华集团等大型企业以及南水北调、西气东输、三峡工程、港珠澳大桥、淮河入海水道等国家重点工程和各大中城市污水处理厂得到成功应用，**应用领域不断扩大。**

公司将始终遵循做精产品、做大产业、做强企业的发展理念，努力为我国水利、环保、市政建设作出更大贡献！



## Company profile

YATAI PUMP&VALVE CO., LTD. is a national high-tech enterprise specialized in the research, development and production of various types of water pumps, environmental protection equipment, mobile pump stations, integrated pump stations, fire-fighting pump trucks and remote control systems. It also provides a full range of services in pump station and environmental protection engineering design, product development, equipment installation and system operation. It has various qualifications including Grade II specialized contracting for mechanical and electrical installation engineering, Grade III general contracting for mechanical and electrical engineering construction, Grade III general contracting for utilities engineering construction, Grade III specialized contracting for environmental protection engineering, and Grade A qualification for environmental protection design.

Adhering to the business strategy of innovation driving and industry convergence, the company has comprehensively promoted its high-quality development. It has successively won a number of national honorary titles such as national green factory, national IP dominant enterprise, China's industry-university-research cooperation innovation demonstration enterprise, national contract-abiding and credit-worthy enterprise, waste submersible motor-pump technology supporting unit, national outstanding enterprise in water conservancy system, and China's top 100 backbone enterprises in environmental protection industry. The YATAI brand has been recognized as China famous brand, **with its comprehensive strength being continuously strengthened.**

In recent years, the company has successively developed 23 series of more than 2,000 varieties of water pump products and 6 series of 38 varieties of complete sets of sewage treatment equipment in line with national industrial policies. At present, large high-pressure submersible electric pumps, large submersible axial-flow pumps, new flood control and emergency pumps, mobile pump stations, FRP prefabricated pump stations, submersible push-flow mixers, buoy aerators, and fire-fighting pump trucks have become the leading products of the company, obtaining 66 patent authorizations and more than 200 scientific and technological achievements, **with the product category being increasingly developed.**

The company vigorously promotes the development idea of quality-based brand building and brand-based market expanding, and comprehensively implements management systems such as quality, measurement, environment, OHS, enterprise credit, energy management, after-sales service and intellectual property rights. The leading product, waste submersible motor pump, has been recognized as a famous brand product in Jiangsu Province. The company has been rated as AAA quality credit enterprise, AAAA enterprise with good practice on standardization, AAA measurement management system enterprise, five-star after-sales service unit, and provincial enterprise credit management standard implementation qualified enterprise, **which has made its market reputation steadily improved.**

The company has set up research and development institutions such as national postdoctoral research station, Jiangsu high-power submersible motor-pump engineering technology research center, Jiangsu extra-large submersible motor-pump and pumping station system engineering research center, Jiangsu enterprise technology center, and Taizhou high-pressure low-speed submersible mixed-flow pump key laboratory, making it an important carrier of scientific and technological research and talent cultivation, **with which the platform's advantages are strongly demonstrated.**

The company has undertaken more than 10 national and provincial torch programs, national key new product programs and major scientific and technological achievements transformation projects in Jiangsu. Portable intelligent heavy-duty flood control and emergency submersible pumps are listed in the national industrial energy-saving technology and equipment key recommended product catalogue, and waste submersible motor-pumps are listed in China's Energy-Efficiency Star catalogue. The independently developed high-power submersible pump series products have successively won one national science & technology progress award (second class), 13 provincial and ministerial science and technology awards, 2 gold medals for outstanding new products in Jiangsu, and 2 new products have been recognized as the first major equipment and key components in Jiangsu. The company has been recognized as science and technology small giant enterprise in Jiangsu Province, an innovative enterprise in Jiangsu Province, a demonstration enterprise for innovation capability construction in Jiangsu Province, and a demonstration enterprise for the integration of informatization and industrialization in Jiangsu Province, **with its innovation capability being improved in an all-round way.**

As a demonstration leading enterprise in the water pump industry, it presided over the revision of the mechanical industry standard JB/T10179-2016 Mixed Flow and Axial Submersible Motor-Pumps, led the formulation of the national standard Waste Submersible Motor-Pumps, and other 8 industry standards including the Non-clogging Pumps, Tubular Pumps, Submersible Sewage Pumps and Axial Submersible Pumps, **leading the peers in industrial advantages.**

The company's leading industry and project contracting advance side by side and complement each other. High-tech products such as various submersible pumps, environmental protection equipment, integrated prefabricated pump stations, flood control emergency pumps, and fire-fighting pump trucks have been successfully applied in large enterprises such as Shanghai Baosteel, Daqing Oilfield, CGN, Shenhua Group, and other key national projects such as the South-to-North Water Transfer Project, the West-to-East Natural Gas Transmission Project, the Three Gorges Project, the Hong Kong-Zhuhai-Macao Bridge, and the Huaihe River's floodway, as well as sewage treatment plants in large and medium-sized cities, **and their application fields are continuously expanding.**

The company will always follow the development concept of making fine products, expanding industries and strengthening enterprises, and strive to make greater contributions to China's water conservancy, environmental protection and municipal construction.



## 董事长致辞



亚太泵阀,以水立业,源远流长。

作为国家级绿色工厂,多年来,亚太泵阀有限公司始终以“改善人类生存环境,提高人类生活品质”为己任,在利用水征服水的征程中积跬步以达千里,积小流以成江河,经过多年奋斗,现已发展成为专业从事各类水泵、环保设备、移动泵车、一体化泵站、消防供水泵车、远程控制系统研发生产,同时提供项目设计、设备研制、工程安装和系统运营一条龙配套服务的国家级高新技术企业。

亚太泵阀传承水无私付出、默默奉献的精神,求真务实,自强不息,坚持“科技引导潮流,实力锻造精品”的发展战略,全心全意服务社会,尽心尽力满足客户。

亚太人传承水至刚至柔、适时而变的特性,与时俱进、开拓创新,以水泵和环保设备为圆心,推行同心多元战略,适时推进多元化经营,产业发展齐头并进,市场优势不断凸显。

亚太人传承水江百川,有容乃大,以人为本,知人善任,聚合资源要素,发挥人才所长,使员工和企业共成长。

亚太人传承水滴石穿、坚韧不拔、锲而不舍,聚焦水泵环保主业,坚持“中外水泵之前列不能没有亚太的位置”目标不动摇,为实现绿色梦想砥砺前行。

水是生命之源、生产之要、生态之基。亚太的发展起源于水,相信前进的路上通过探索创新、苦练内功、奋力开拓,在未来也必将如江河奔腾,生生不息。

涓涓细流汇成江河。亚太人愿用广博的胸怀与各界朋友团结合作,共同打造产业协同发展的美好愿景!

党委书记、董事长  
江苏省优秀民营企业家  
江苏省机械行业优秀企业家  
江苏省环保行业优秀企业家  
江苏省科技企业企业家  
泰兴市工商联副主席

常  
石  
砥



## Chairman's speech

YATASI PUMP&VALVE has established its business with water for a long-lasting development.

As a national green factory, YATASI PUMP&VALVE CO., LTD. has always taken the concept "improving the living environment of human beings and enhancing the quality of human life" as its duty. In its journey of conquering water by using water, it has made great strides through years of accumulation. Now, it has developed into a national high-tech enterprise specializing in the research, development and production of various types of water pumps, environmental protection equipment, mobile pump trucks, integrated pump stations, fire-fighting pump trucks and remote control systems, and providing a full range of services including project design, equipment development, engineering installation and system operation.

YATASI PUMP&VALVE inherits the spirit of selfless and silent dedication of water, strives for truth and self-improvement, and adheres to the development strategy of "technology guides the trend and strength forges high-quality products", so as to serve the society wholeheartedly and satisfy the demands of customers.

YATASI inherits the characteristics of water, namely resilience and adaptability to keep pace with the times and innovation. It implements a concentric and diversified strategy centering on water pumps and environmental protection equipment, and promotes diversified management at the right time to accelerate the industrial development and highlight its market advantages.

YATASI adheres to the operating philosophies of people orientation by putting the right people to the right positions and giving full play to talents, so that the employees can develop themselves together with the company.

YATASI sticks to the spirit of perseverance by focusing on the main industry of water pump and environmental protection and insisting on the goal of "coming top in the Chinese and foreign water pump brands", so as to realize the green dream.

Water is the source of life, the necessity of production and the foundation of ecology. The development of YATASI originates from water. I believe that through exploration, innovation, and hard work, the future ahead will surely continue to flourish just like the running rivers. Trickle runs into a river. YATASI people are willing to cooperate with friends from all walks of life with a broad mind to jointly create a beautiful vision of coordinated industrial development.

Secretary of Party Committee and Chairman

Outstanding Private Entrepreneur in Jiangsu

Outstanding Entrepreneur in Jiangsu Machinery Industry

Outstanding Entrepreneur in Jiangsu Environmental Protection Industry

Science and Technology Entrepreneur in Jiangsu

Vice Chairman of Taixing Association of Industry and Commerce

**Chang Lei**

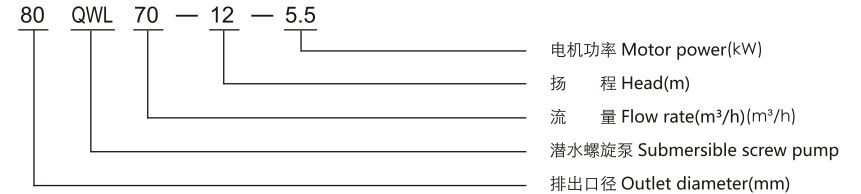
## 产品概述 Product overview

QWL系列潜水螺旋泵是在引进国外先进技术基础上研制成功的螺旋式无堵塞泵。亚太泵阀有限公司结合多年的设计、制造经验，经过若干次技术改进，形成了系列化的性能可靠、技术成熟的潜水螺旋泵产品。该产品设计型谱化，具有效率高、防缠绕、无堵塞、高可靠性、自动耦合、自动控制和自动保护等一系列的优点。泵的性能覆盖面广，泵与电机共轴，结构紧凑，低噪音，便于现场安装和维修。

QWL series submersible screw pump is a kind of screw type non blocking pump which is successfully developed on the basis of importing advanced technology from abroad. Yatai Pump & Valve Co., Ltd. combined with many years of design and manufacturing experience, after several technical improvements, it formed a series of reliable performance, mature technology of submersible screw pumps. The product is designed type serialization, and it has a series of advantages such as high efficiency, anti-winding, non-blocking, high reliability, automatic coupling, automatic control and automatic protection. The performance of the pump covers a wide range. The pump and the motor are coaxial, and it is compact structure, low noise, convenient for on-site installation and maintenance.



## 型号说明 Model description



## 产品特点 Product features

### 1、无堵塞性能显著

螺旋离心泵叶轮的通径大，加上导向和螺旋推进作用，使其通过性能很好，可以输送含固体颗粒及各种长纤维的液体，以及高粘度、高浓度液体，真正做到了无堵塞，不缠绕。

### 2、低紊流及柔性输送，无损性好

固液两相流逐渐向前推进，流动方向无突然变化，流动平稳，其独特的设计使该泵可以通过脆弱或易损物体而不致令其受损。对水果、蔬菜、绒状物、含晶状物的流体，甚至活鱼都能轻易输送。近年来，尤其适合于输送活性污泥，并可以保持活性污泥的特性。

### 3、效率高

螺旋离心运动使流体在泵内平滑流动、低紊流，将水力损失降到最低程度，其结果就是直接降低能量消耗，效率高，降低运行费用；减少泵的磨损，降低维修保养费用，减少停工期，节约成本。

### 4、吸入性能好

停机水位低，低速的选取可以很好地提高水泵的汽蚀性能，即使产生局部汽蚀，泵仍能正常工作。并可抽送含气的液体，含气量在15%以下时，泵的性能、振动基本不发生变化。

### 5、无过载功率曲线

优选的水力设计使得水泵的功率曲线平坦，曲线后部下沉，在正常运行中，不会出现电机过载现象；同时流量——扬程曲线陡峭，相对于扬程变化，流量变化很小，从而能保证水泵平稳地运行。

### 1、The non-clogging performance is significant.

The impeller of the screw centrifugal pump has a large diameter, so it has a good passing performance because of the guidance and screw propulsion. It can transport waste water within solid particles and various long fibers, as well as the high concentration and high viscosity liquid. It really achieves non-blocking and non-winding.

### 2、It is low turbulence, flexible transport and good non-destructive.

The solid-liquid flow moves forward gradually and flows smoothly without sudden changes. Its unique design allows the pump to pass through fragile or vulnerable objects without damage. It's easy to transport fruits, vegetables, velvets, fluid containing crystals, even live fish. In recent years, it is especially suitable for transporting activated sludge and can maintain the characteristics of activated sludge.

### 3、It is high efficiency.

The screw centrifugal motion makes the fluid flow smoothly and low turbulence in the pump, and reduces the hydraulic loss to the lowest degree. The result is that the energy consumption is directly reduced, the efficiency is increased, the running cost is reduced, the wear and tear of the pump is reduced, the maintenance cost is reduced, the downtime is reduced and the cost is saved.

### 4、It is good inhalation performance.

The water level is low, and the selection of low speed can improve the cavitation performance of the pump. Even if local cavitation occurs, the pump can still work normally. And it can pump the liquid containing gas, the pump performance and vibration shall not be changed while the gas content is below 15%.

### 5、It is no overload power curve.

The optimized hydraulic design makes the power curve of the pump be flat, the back of the curve sink, and the motor will not overload in normal operation. At the same time, the flow - head curve is steep, and the flow rate changes very little compared with the change of the head, so as to ensure the smooth operation of the pump.



### 产品适用范围 Product scope of application

QWL系列潜水螺旋泵的核心部件叶轮采用螺旋叶片和离心叶片相结合的一体化结构设计，这种泵是容积泵和离心泵的组合，故称为螺旋离心泵。主要适用于市政工程、污水处理、造纸、纺织、印染、工农业、医院、建筑、宾馆、饭店等行业，用于输送带固体颗粒及各种长纤维的废水、城市生活污水和雨水，还包括高浓度、高粘度液体的输送。

The impeller of QWL series submersible screw pump adopts the integrated structure design by the combination of helical blade and centrifugal blade. This pump is a combination of the volumetric pump and centrifugal pump, so it is called screw centrifugal pump. It is mainly used in municipal engineering, sewage treatment, papermaking, textiles, printing and dyeing, industry and agriculture, hospitals, construction, hotels, restaurants and other industries. It is used to transport waste water within solid particles and various long fibers, urban sewage and rainwater, as well as the high concentration and high viscosity liquid.



### 使用条件 Application conditions

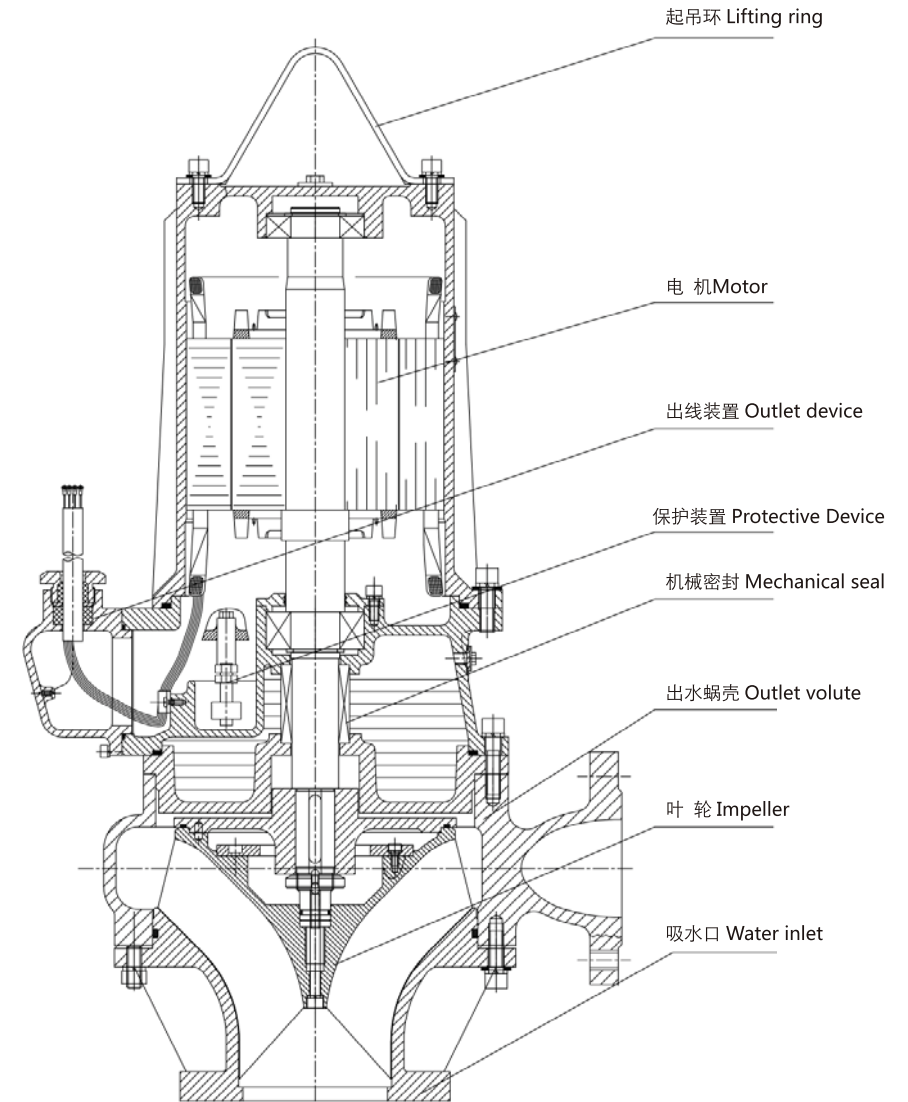
- 1、输送介质温度：0~+100℃；
- 2、输送介质PH值为4~10；
- 3、输送介质的最高浓度：①纸浆:12%以下；②带固体污水:13%以下；③泥浆:14%以下；④纤维浆:14%以下；
- 4、电压380V、50Hz（其它电压、频率可按合同制造）；
- 5、潜水深度：最深20m。

- 1、Temperature of transmission medium: 0 ~ +100°C;
- 2、PH of transmission medium: 4~10;
- 3、Maximum concentration of transmission medium: ① Paper pulp: below 12%; ② Sewage with solids: below 13%; ③ Slurry: below 14%; ④ Fibre pulp: below 14%.
- 4、Voltage: 380V, 50Hz (Other voltage and frequency can be manufactured according to the contract.)
- 5、Diving depth: deepest 20m.

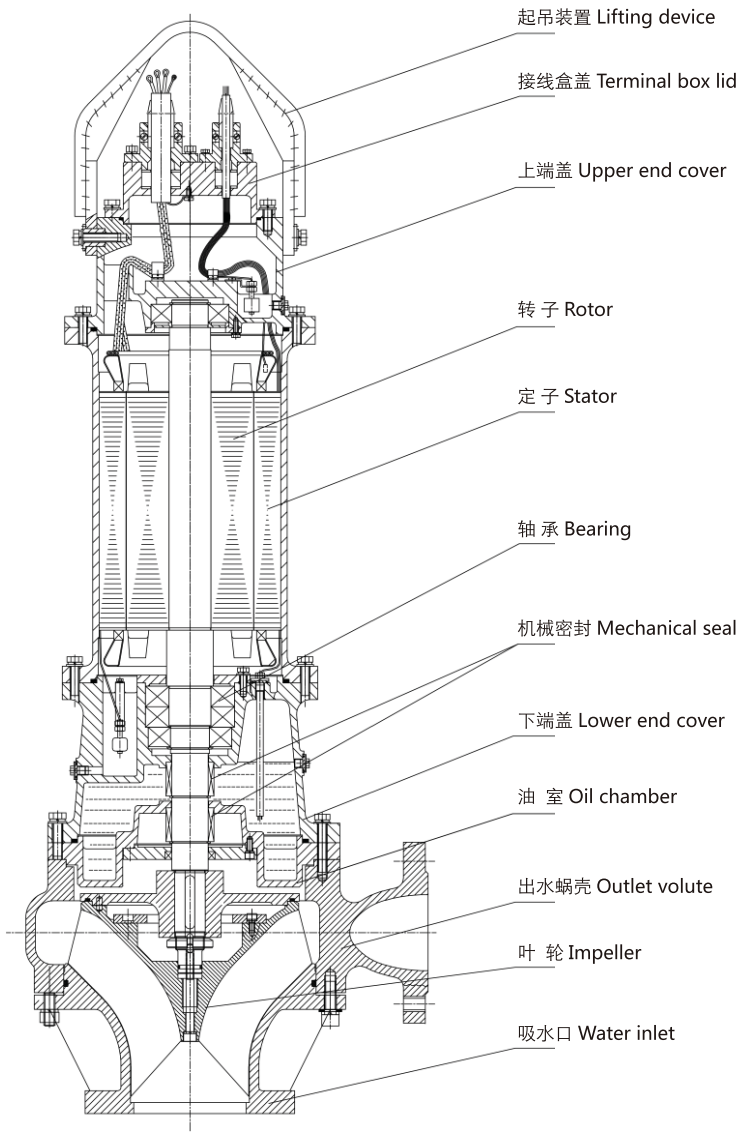
### 结构说明 Structure description

QWL系列潜水螺旋泵的水力部分主要有出水蜗壳、吸水口、叶轮组成；出水蜗壳由吸入盖和蜗壳两部分组成。吸入盖部分的叶轮，产生螺旋推进作用，蜗壳部分的叶轮像一般离心泵产生离心作用，叶片进口的锐角部分将杂物导向轴心附近，再利用螺旋作用使之沿轴线推进。

The hydraulic part of QWL series submersible screw pump is mainly composed of the outlet volute, suction inlet and impeller, and the outlet volute is composed of suction cover and volute. The impeller of the suction cover produces spiral propulsion, and the impeller of the volute part produces centrifugal effect which is like the centrifugal pump. The sharp angle part of the blade inlet guides the debris near the axis, and then pushes it along the axis by the screw action.

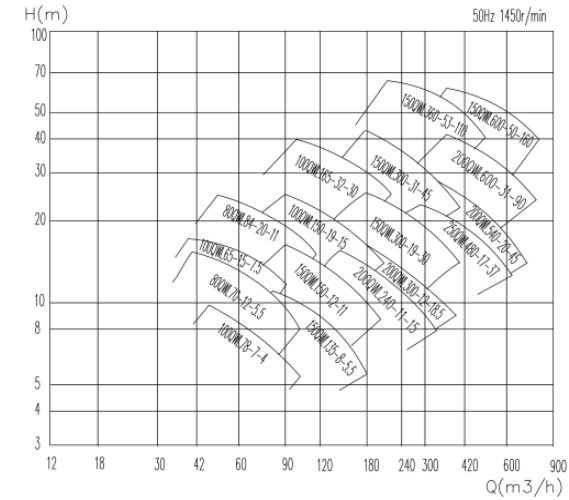


≤7.5kW水泵结构 Pump structure ≤ 7.5kW



> 7.5kW水泵结构 Pump structure > 7.5kW

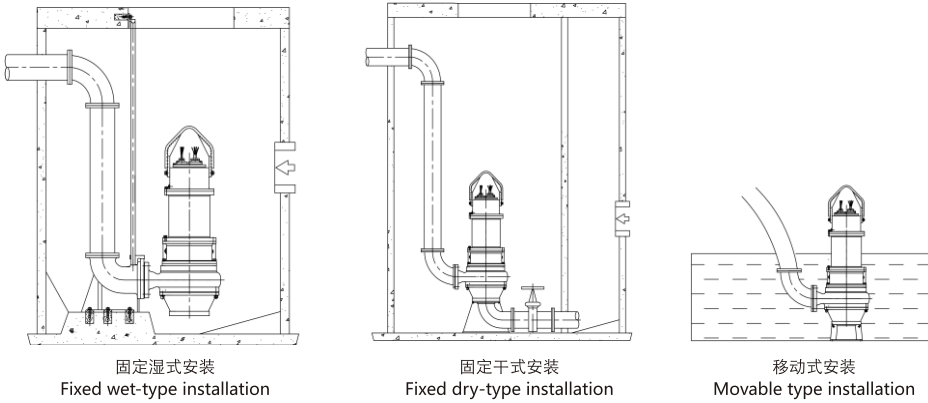
型谱图 Type spectrogram



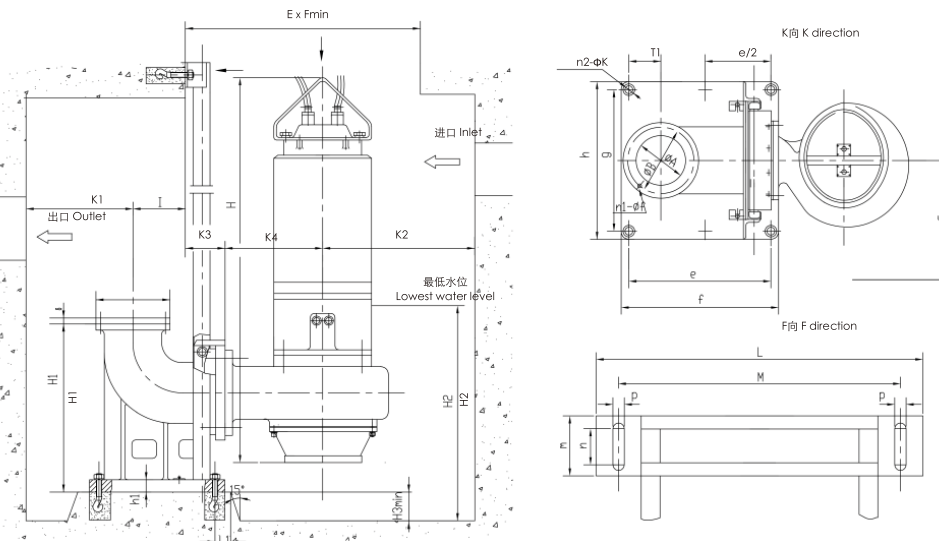
性能参数表 Performance parameter table

序号 No.	型号规格 Specification	流量 Flow rate (m³/h)	扬程 Head (m)	转速 Rotate speed (r/min)	泵效率 Pump efficiency (%)	配套功率 Matching power (kW)
1	100QWL78-7-4	78	7	1450	62	4
2	80QWL70-12-5.5	70	12		64	5.5
3	150QWL135-8-5.5	135	8		65	5.5
4	100QWL65-15-7.5	65	15		60	7.5
5	80QWL84-20-11	84	20		63	11
6	150QWL150-12-11	150	12		64	11
7	200QWL240-11-15	240	11		74	15
8	100QWL150-19-15	150	19		65	15
9	200QWL300-12-18.5	300	12		76	18.5
10	100QWL165-32-30	165	32		62	30
11	150QWL300-19-30	300	19		71	30
12	250QWL480-17-37	480	17		75	37
13	150QWL300-31-45	300	31		71	45
14	200QWL540-20-45	540	20		77	45
15	200QWL600-31-90	600	31		74	90
16	150QWL360-53-110	360	53		67	110
17	150QWL600-50-160	600	50		73	160

安装方式 Installation method



导轨式自动耦合安装尺寸示意图 Dimension diagram of guide rail type automatic coupling installation

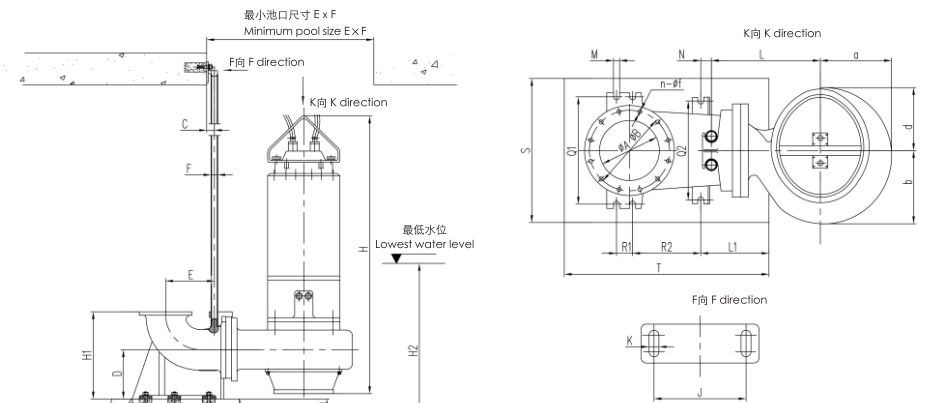


注：①G为同池内两泵最小中心距  
②K1为出水弯管中心距池壁最小距离；K2为泵中心距进口池壁最小距离  
Note: ① G is the minimum center distance between two pumps in the same pool.  
② K1 is the minimum distance between the center of the outlet elbow and the pool wall. K2 is the minimum distance between the pump center and the inlet pool wall.

导轨式自动耦合安装尺寸表 Dimension table of guide rail type automatic coupling installation

序号 No.	型号 Model	ΦA	ΦB	n1-ΦF	δ	e	f	g	h	H <sub>1</sub>	h <sub>2</sub>	n <sub>2</sub> -ΦK	L	M	m	n	p	K <sub>3</sub>	K <sub>4</sub>	H	I	T <sub>1</sub>	H <sub>min</sub>	H <sub>2</sub>	E×F	K <sub>1</sub>	K <sub>2</sub>	G	
1	100QWL78-7-4	100	170	210	4-17.5	18	350	420	360	425	400	20	4-24	505	440	100	60	18	92	577	640	127	105	300	750	750×650	450	500	560
2	80QWL70-12-5.5	80	150	190	4-17.5	18	350	420	360	400	365	20	4-24	472	407	100	60	18	94	250	860	100	105	300	900	700×550	400	500	530
3	150QWL135-8-5.5	150	225	265	8-17.5	18	350	420	360	425	435	20	4-24	505	440	100	60	18	101	220	1050	129	125	320	1300	850×700	600	550	560
4	100QWL65-15-7.5	100	170	210	4-17.5	18	350	420	360	425	400	20	4-24	505	440	100	60	18	92	180	790	127	105	300	920	750×650	450	500	560
5	80QWL84-20-11	80	150	190	4-17.5	18	350	420	360	400	365	20	4-24	472	407	100	60	18	94	340	1030	100	105	300	1150	900×750	400	600	560
6	150QWL150-12-11	150	225	265	8-17.5	18	350	420	360	425	435	20	4-24	505	440	100	60	18	101	220	1050	129	125	320	1300	900×800	600	650	740
7	200QWL240-11-15	200	280	320	8-17.5	25	560	640	550	640	615	25	4-27	700	605	100	60	22	138	450	1355	274	180	340	1550	1150×850	700	750	750
8	100QWL150-19-15	100	180	210	4-17.5	18	350	420	360	425	400	20	4-24	505	440	100	60	18	92	460	1438	127	105	300	970	1150×850	450	600	720
9	200QWL300-12-18.5	200	280	320	8-17.5	25	560	640	550	640	615	25	4-27	700	605	100	60	22	138	400	1640	274	180	340	1070	1150×900	700	700	750
10	100QWL165-32-30	100	180	210	4-17.5	18	350	420	360	425	400	20	4-24	505	440	100	60	18	92	470	1492	127	105	300	950	1150×850	450	650	720
11	150QWL300-19-30	150	225	265	8-17.5	18	350	420	360	425	435	20	4-24	505	440	100	60	18	101	510	1945	129	125	320	950	1300×900	600	750	750
12	250QWL480-17-37	250	335	375	12-17.5	25	650	750	700	800	720	25	4-40	798	6710	150	90	27	177	550	2138	303	185	380	900	1450×1200	800	750	850
13	150QWL300-31-45	150	225	265	8-17.5	18	350	420	360	425	435	20	4-24	505	440	100	60	18	101	600	1962	129	125	320	1050	1300×900	600	780	850
14	200QWL540-20-45	200	280	320	8-17.5	25	560	640	550	640	615	25	4-27	700	605	100	60	22	138	620	2231	274	180	340	1050	1450×1200	700	750	1000
15	200QWL600-31-90	200	280	320	8-17.5	25	560	640	550	640	615	25	4-27	700	605	100	60	22	138	560	2375	274	180	340	1050	1600×1300	700	900	950
16	150QWL360-53-110	150	225	265	8-17.5	18	350	420	360	425	435	20	4-24	505	440	100	60	18	101	450	2590	129	125	320	1070	1600×1300	600	800	1000
17	150QWL600-50-160	150	225	265	8-17.5	18	350	420	360	425	435	20	4-24	505	440	100	60	18	101	800	2753	129	125	320	950	1750×1350	600	800	1100

导杆式自动耦合安装尺寸示意图 Dimension diagram of guide rod type automatic coupling installation



注：①▼为自动冷却系统时最低水位  
②G尺寸为同池中两泵间的最小中心距  
Note: ①▼ is the lowest water level in the automatic cooling system.  
②The G size is the minimum center distance between the two pumps in the same pool.

### 导杆式自动耦合安装尺寸表 Dimension table of guide rod type automatic coupling installation

序号 No.	型号 Model	ΦA	ΦB	n-Φf	J	K	G	D	E	F	H1	Q1	Q2	R1	R2	S	T	H <sub>max</sub>	H	H2	M	N	L	a	b	d	EXF	G
1	100QWL78-7-4	100	180	8-18	100	2-16	105	200	240	Φ48	380	300	220	—	250	450	450	300	640	750	4-18	13	252	130	150	110	750*650	560
2	80QWL70-12-5.5	80	160	8-18	160	2-12	95	155	185	Φ48	295	210	210	—	210	450	450	300	860	900	4-18	26	314	173	186	160	700*550	530
3	150QWL135-8-5.5	150	240	8-22	100	2-16	105	240	310	Φ48	430	330	230	—	310	450	600	320	1050	1300	4-20	35	324	150	170	130	850*700	560
4	100QWL65-15-7.5	100	180	8-18	100	2-16	105	200	240	Φ48	380	300	220	—	250	450	450	300	790	920	4-18	13	252	130	145	120	750*650	560
5	80QWL84-20-11	80	160	8-18	160	2-12	95	155	185	Φ48	295	210	210	—	210	450	450	300	1030	1150	4-18	13	382	220	235	205	900*750	560
6	150QWL150-12-11	150	240	8-22	100	2-16	105	240	310	Φ48	430	330	230	—	310	450	600	320	1050	1300	4-20	35	444	230	250	210	900*800	740
7	200QWL240-11-15	200	295	8-22	120	2-24	110	290	340	Φ60	530	410	410	—	420	680	700	340	1355	1550	4-20	15	550	310	350	270	1150*850	750
8	100QWL150-19-15	100	180	8-18	100	2-16	105	200	240	Φ48	380	300	220	—	250	450	450	300	1438	970	4-18	13	544	295	315	280	1150*850	720
9	200QWL300-12-18.5	200	295	8-22	120	2-24	110	290	340	Φ60	530	410	410	—	420	680	700	340	1640	1070	4-20	15	500	270	330	245	1150*900	750
10	100QWL165-32-30	100	180	8-18	100	2-16	105	200	240	Φ48	380	300	220	—	250	450	450	300	1492	950	4-18	13	554	330	350	305	1150*850	720
11	150QWL300-19-30	150	240	8-22	100	2-16	105	240	310	Φ48	430	330	230	—	310	450	600	320	1945	950	4-20	35	610	340	360	320	1300*900	750
12	250QWL480-17-37	250	350	12-22	150	2-18	155	350	400	Φ60	650	500	500	—	470	800	950	300	2138	900	4-26	22	663	360	400	320	1450*1200	850
13	150QWL300-31-45	150	240	8-22	100	2-16	105	240	310	Φ48	430	330	230	—	310	450	600	320	1962	1050	4-20	35	700	390	415	365	1300*900	850
14	200QWL540-20-45	200	295	8-22	120	2-24	110	290	340	Φ60	530	410	410	—	420	680	700	340	2231	1050	4-20	15	733	445	500	420	1450*1200	1000
15	200QWL600-31-90	200	295	8-22	120	2-24	110	290	340	Φ60	530	410	410	—	420	680	700	340	2375	1050	4-20	15	673	410	445	365	1600*1300	950
16	150QWL360-53-110	150	240	8-22	100	2-16	105	240	310	Φ48	430	330	230	—	310	450	600	320	2590	1070	4-20	35	712	420	435	405	1600*1300	1000
17	150QWL600-50-160	150	240	8-22	100	2-16	105	240	310	Φ48	430	330	230	—	310	450	600	320	2753	950	4-20	35	913	545	575	510	1750*1350	1100

### 成套供货范围与订货须知 Complete supply scope and ordering information

#### 1. 成套供货范围 Complete supply scope

供货范围 Scope of supply	安装方式 Installation method			备注 Note
	移动式 Movable type		自动耦合式 Automatic coupling type	
	软管联接 Hose connection	硬管联接 Hard pipe connection		
必购件 Necessary purchasing	主泵 Main pump	√	√	√
	控制柜 Control cabinet	√	√	√
	双法兰弯管 Double flange elbow			√
	单法兰弯管 Single flange elbow	√		
	自动耦合装置 Automatic coupling device			√
选购件 Selective purchasing	拦污栅 Trash rack	√	√	√
	启闭机及闸门 Hoist and gate	√	√	√
	端子箱 Terminal box	√	√	√
	液位开关 Liquid level switch	√	√	
	地脚螺栓 (一套) Anchor bolt (a set)			√
	软管 Hose	√		
	蝶(闸)阀 Butterfly valve (gate valve)	√	√	√
	止回阀 Check valve	√	√	√
	可挠性橡胶接管 Flexible rubber pipe	√	√	√
易损件 Quick-wear parts	O型圈 O ring	√	√	√
	叶轮 Impeller	√	√	√
	耐磨环 Wear ring	√	√	√
	轴承 Bearing	√	√	√
	机械密封 Mechanical seal	√	√	√
进线密封 Line seal	√	√	√	

#### 2. 订购须知

- ①在合同中应注明明确的产品型号、产品名称、安装形式、性能参数(流量、扬程、电机功率)和使用电压;
- ②控制柜应注明启动方式(直接启动、自耦降压启动、可控柜软启动)、液位控制方式(浮球液位、压力变送器数显液位)、安装形式(户外型、户内型);
- ③如需配端子箱,应注明是控制型,还是接线型;
- ④在“供货范围”中需由用户确定的尺寸应及时提供;
- ⑤在公司正常供货长度:7.5kW以下水泵电缆长6m,其余为10m,导轨长为3m,如用户有特殊要求,请予注明;
- ⑥如有其它特殊要求,签订合同前请与亚太泵阀销售部门联系。

#### 2. Ordering information

- ① The product model, product name, installation type, performance parameters (flow, head, motor power) and service voltage shall be indicated in the contract.
- ② The control cabinet should be marked with the starting method (direct start, auto coupling start, soft start of controlled cabinet), liquid level control method (floating ball level, pressure transmitter digital display level) and installation method (outdoor type, indoor type).
- ③ If terminal box is required, it should be marked as control type or wiring type.
- ④ The size determined by the user in the scope of supply should be provided in time.
- ⑤ The normal supply length of our company: the cable length of the pump below 7.5kW is 6 m, the rest is 10 m, and the length of the rail is 3 m. If users have special requirements, please indicate them.
- ⑥ If there are other special requirements, please contact the sales department of our company before signing the contract.